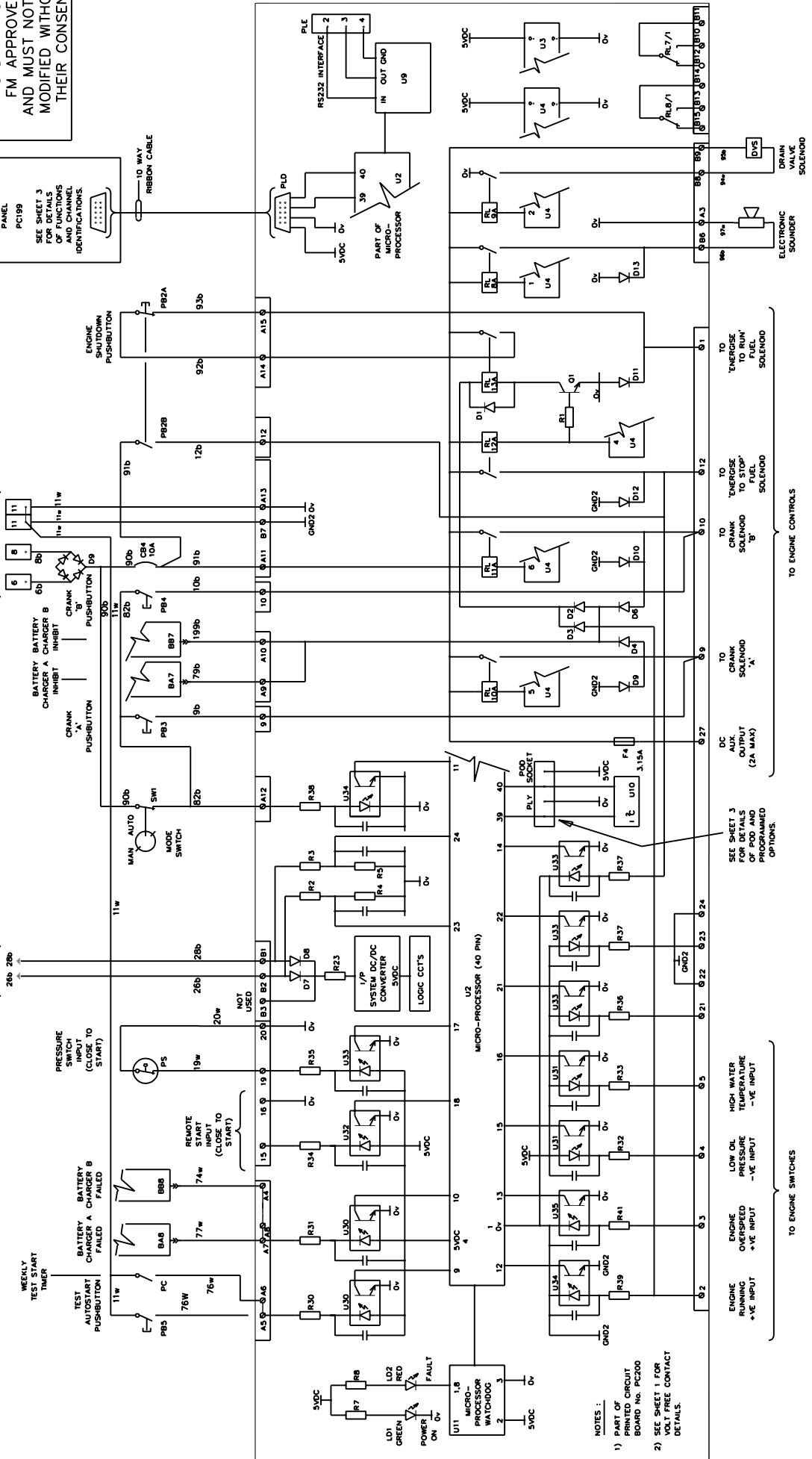


CONTROLLED DOCUMENT
THIS DRAWING IS
FM APPROVED
AND MUST NOT BE
MODIFIED WITHOUT
THEIR CONSENT

ANNUNCIATOR
PANEL
PC109
SEE SHEET 3
FOR DETAILS
OF FUNCTIONS
AND CHANNEL
IDENTIFICATIONS.

CONTINUED ON SHEET 1
(TERMINALS 6.8 AND 11 ARE
CONNECTED TO TERMINALS 6.8 AND 11
RESPECTIVELY ON SHEET 1)

CONTINUED ON SHEET 1 (B4)



NOTES:
1) PART OF
PRINTED CIRCUIT
BOARD NO. PC200
2) SEE SHEET 1 FOR
VOLT FREE CONTACT
DETAILS.

CUSTOMER REFERENCE		PROJECT	
DRN	CHK	TITLE	SCHEMATIC DIAGRAM FOR CONTROLLER TYPE
DCs			FD38
ISSUE No.			DRG. NO. SHEET 2 OF 3
1	23.03.99		0000-01
2	25.9.2006		

METRON ELECTROME LTD
ORANGE ROAD
TOTTENHAM
WWW.METRONLTD.CO.UK

© THE DRAWING IS THE PROPERTY OF
METRON-ELECTROME AND MUST NOT BE LENT,
LOANED OR REPRODUCED WITHOUT PRIOR
PERMISSION.

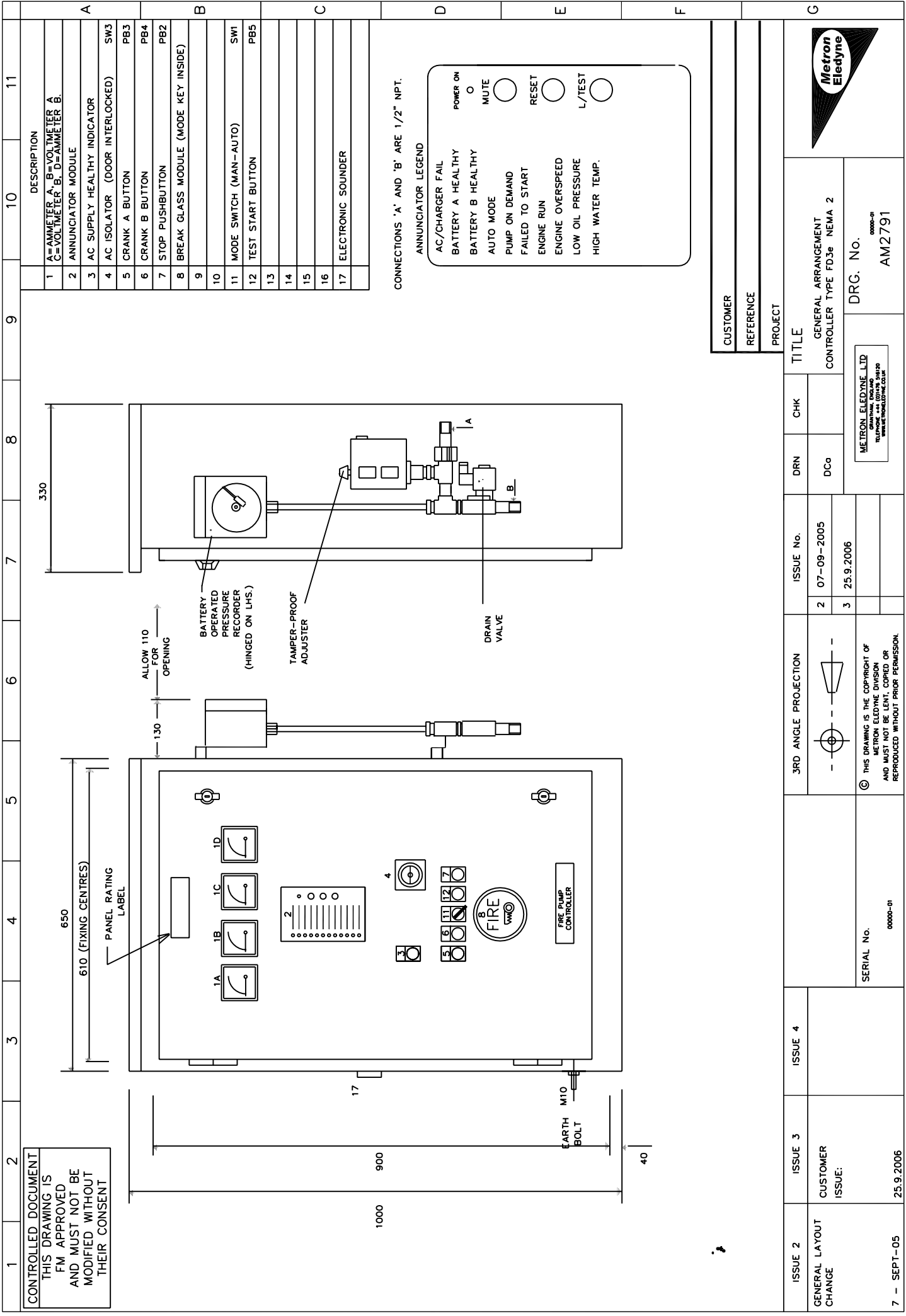
ISSUE 1	ISSUE 2	ISSUE 3	ISSUE 4	ISSUE 5	ISSUE 6	ISSUE 7	ISSUE 8	C.A.D. Software	AUTOCAD
---------	---------	---------	---------	---------	---------	---------	---------	-----------------	---------

TO ENGINE SWITCHES
ENGINE OVERHEAT +VE INPUT
ENGINE OVERHEAT -VE INPUT
LOW OIL TEMPERATURE -VE INPUT
HIGH WATER TEMPERATURE -VE INPUT
DC AUX CONTACT (24 MAX)
TO ENGINE CONTROLS
TO CRANK SOLENOID A
TO CRANK SOLENOID B
TO 'EMERGENCY STOP' SOLENOID
TO 'EMERGENCY STOP' SOLENOID

ISSUE 1	ISSUE 2	ISSUE 3	ISSUE 4	ISSUE 5	ISSUE 6	ISSUE 7	ISSUE 8	ISSUE 9	ISSUE 10
SEE SHEET 1 FOR ISSUE AND REVISION DETAILS	CUSTOMER ISSUE:								
26.03.99	25.9.2006								



DE1861



CONTROLLED DOCUMENT
 THIS DRAWING IS
 FM APPROVED
 AND MUST NOT BE
 MODIFIED WITHOUT
 THEIR CONSENT

DESCRIPTION	10	11
1 A=AMMETER A, B=VOLTMETER A, C=VOLTMETER B, D=AMMETER B.		
2 ANNUNCIATOR MODULE		
3 AC SUPPLY HEALTHY INDICATOR		
4 AC ISOLATOR (DOOR INTERLOCKED)		
5 CRANK A BUTTON		
6 CRANK B BUTTON		
7 STOP PUSHBUTTON		
8 BREAK GLASS MODULE (MODE KEY INSIDE)		
9		
10		
11 MODE SWITCH (MAN-AUTO)		
12 TEST START BUTTON		
13		
14		
15		
16		
17 ELECTRONIC SOUNDER		

CONNECTIONS 'A' AND 'B' ARE 1/2" NPT.
 ANNUNCIATOR LEGEND

AC/CHARGER FAIL	POWER ON
BATTERY A HEALTHY	MUTE
BATTERY B HEALTHY	RESET
AUTO MODE	L/TEST
PUMP ON DEMAND	
FAILED TO START	
ENGINE RUN	
ENGINE OVERSPEED	
LOW OIL PRESSURE	
HIGH WATER TEMP.	

CUSTOMER
 REFERENCE
 PROJECT

ISSUE 2	ISSUE 3	ISSUE 4	ISSUE No.	DRN	CHK	TITLE
GENERAL LA YOUT CHANGE	CUSTOMER ISSUE:		2 07-09-2005	DCo		GENERAL ARRANGEMENT CONTROLLER TYPE FD3e NEMA 2
7 - SEPT-05	25.9.2006		3 25.9.2006			DRG. No. AM2791
			METRON ELEDYNE LTD TEL: 01904 444 000 (UK) 1 800 341 799 WWW.METRONELEDYNE.CO.UK		SERIAL No. 00000-01	
			3RD ANGLE PROJECTION 		© THIS DRAWING IS THE COPYRIGHT OF METRON ELEDYNE DIVISION AND MUST NOT BE LENT, COPIED OR REPRODUCED WITHOUT PRIOR PERMISSION.	

