

DESCRIPTION	COLOUR	I.D.
1 BATTERY 1 AMMETER		A1
2 BATTERY 1 VOLTMETER		V1
3 BATTERY 2 VOLTMETER		A2
4 BATTERY 2 AMMETER		V2
5 ANNUNCIATOR MODULE		
6 HOURS RUN COUNTER		HR
7 OIL PRESSURE GAUGE		OP
8 WATER TEMPERATURE GAUGE		WT
9 ENGINE RPM SPEED		TACHO
10 AUTO - OFF - MAN. KEY OUT AUTO ONLY		SW1
11 TEST START (AND INDICATOR)	GREEN	PB3/L3
12 EMERGENCY START PUSHBUTTON C/W COVER	GREEN	PB5
13 ENGINE STOP	RED	PB4
14 ELECTRONIC SOUNDER		
15 CRANK BATTERY 1	GREEN	PB1/L1
16 CRANK BATTERY 2	GREEN	PB2/L2
17 JOCKEY MODE SWITCH, AUTO-OFF-MAN		SW2
18 JOCKEY NUMBER OF STARTS COUNTER		CO
19 JOCKEY RUNNING LAMP	GREEN	L4

- NOTES:  
 1. CABINET PROTECTION: IP54  
 2. SUGGESTED MOUNTINGS: 4 X FIXINGS MARKED 'A'  
 ALL 10MM HOLES

ANNUNCIATOR LEGEND

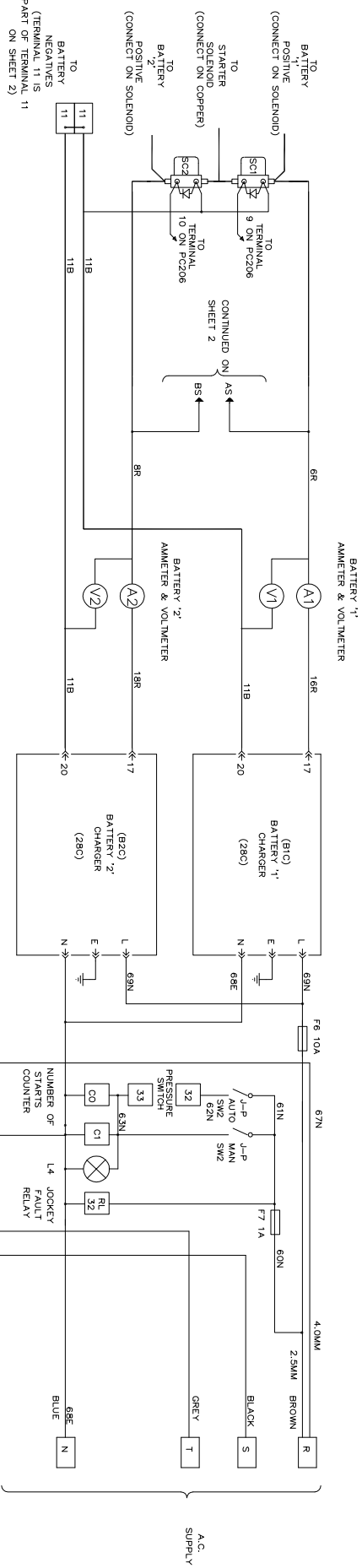
AC/CHARGER FAIL  
 BATTERY 1 HEALTHY  
 BATTERY 2 HEALTHY  
 AUTO MODE ON  
 MANUAL MODE  
 TEST MODE  
 JOCKEY PUMP FAULT  
 HIGH WATER TEMP.  
 LOW OIL PRESS.  
 FAILED TO START  
 LOW WATER LEVEL  
 WATER FAULT <60%  
 PUMP ON DEMAND  
 PUMP AT/NOT PRESSURE

MUTE

RESET

L/TEST

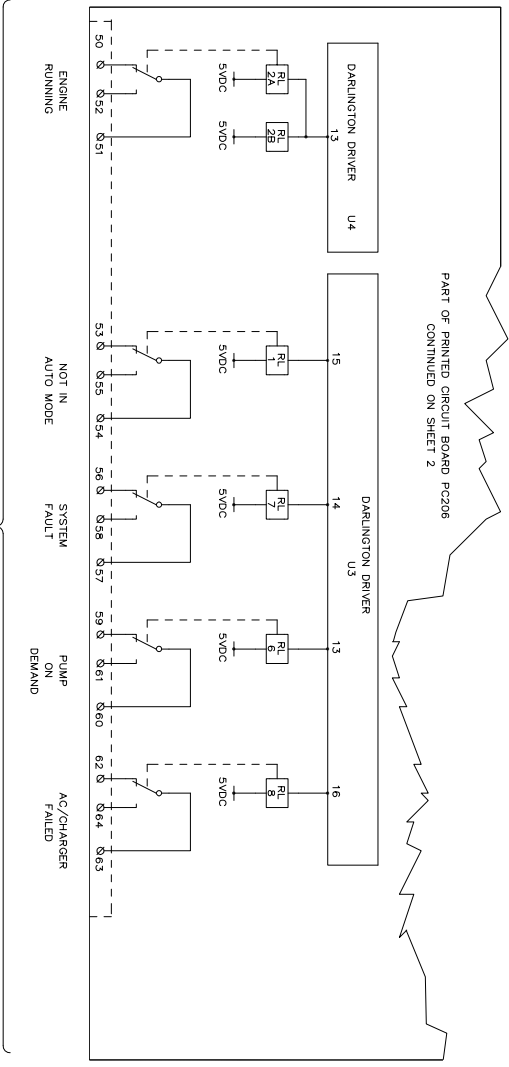
ISSUE 1	ISSUE 2	ISSUE 3	3RD ANGLE PROJECTION		ISSUE No.	DRN	CHK	TITLE	DRG. No.	
INITIAL ISSUE	CUSTOMER ISSUE				1 29-OCT-08	DC		GENERAL ARRANGEMENT CONTROLLER EN12845-ES	AM3114	
29-OCT-08			SERIAL No.							



NOTES :

- 1). ALL COMPONENTS ARE SHOWN IN THEIR SHELF CONDITION, EXCEPT REMOTE RELAYS WHICH ARE NORMALLY ENERGISED.
- 2). BATTERY CHARGERS 1 & 2 ARE PART SHOWN ON SHEET 2 AND IDENTIFIED AS BAC & BBC RESPECTIVELY.
- 3). SEE SHEET 3 FOR PRINTED CIRCUIT BOARD PC206 LAYOUT AND CONNECTOR DETAILS
- 4). CABLE COLOURS ARE AS FOLLOWS :

- W = WHITE
- E = BLUE
- B = BLACK
- N = BROWN
- R = RED
- R = RED
- A = ORANGE
- P = PURPLE

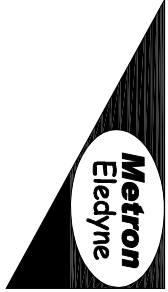


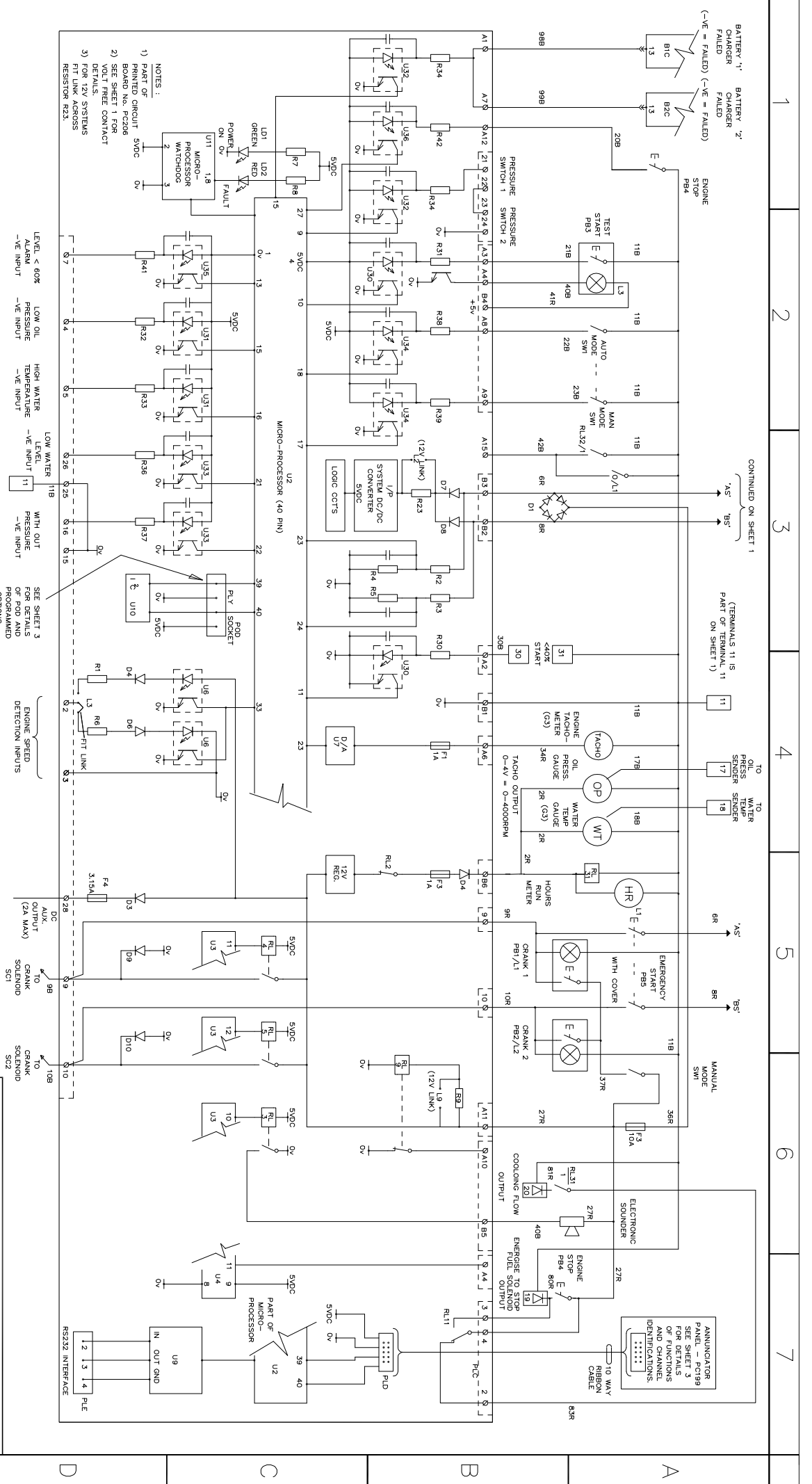
VOLT-FREE MONITOR CONTACTS (125VAC 5 AMPS, NON-INDUCTIVE LOADS ONLY) CONTACTS FACE RIGHT TO INDICATE TITLE

SERIAL NO.	ISSUE NO.	DRN	CHK	TITLE
ISSUE 1	ISSUE 2	1	29-OCT-08	EN12845-ES SCHEMATIC DIAGRAM
ISSUE 1	ISSUE 3	2		

SEE SHEET 1	CUSTOMER ISSUE	DC	DRG. No.	SHEET 1/3	AE2204
-------------	----------------	----	----------	-----------	--------

Metron-Eledyne  
GRANTHAM, ENGLAND  
TELEPHONE +44 (0)1476 516120  
WWW.METRONLEDYNE.CO.UK





1	2	3	4	5	6	7
SERIAL NO.			DRN	CHK	TITLE	
ISSUE 1	ISSUE 2	ISSUE 3	DC		EN12845-ES	
INITIAL ISSUE	CUSTOMER ISSUE				SCHEMATIC DIAGRAM	
					DRG. No.	AE2204
					SHEET 2/3	

- NOTES:
- 1) PART OF PRINTED CIRCUIT BOARD No. PC206
  - 2) SEE SHEET 1 FOR 'VOLT' FREE CONTACT DETAILS.
  - 3) FIT LINK ADDRESS RESISTOR R23.

LEVEL < 60% ALARM -VE INPUT  
 LOW OIL PRESSURE -VE INPUT  
 HIGH WATER TEMPERATURE -VE INPUT  
 LOW WATER LEVEL -VE INPUT  
 WITH OUT PRESSURE -VE INPUT  
 SEE SHEET 3 FOR DETAILS OF POD AND PROGRAMMED OPTIONS.

ENGINE SPEED DEFECTION INPUTS

DC AYC OUTPUT (2A MAX)  
 TO CRANK SOLENOID SC1  
 TO CRANK SOLENOID SC2

IN. OUT GND  
 1 2 3 4 PLE  
 RS232 INTERFACE

Metron-Eledyne  
 GRANTHAM, ENGLAND  
 TELEPHONE +44 (0)1476 516120  
 WWW.METRONLEDYNE.CO.UK

