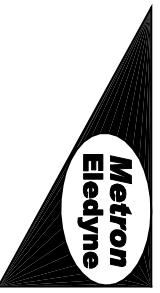
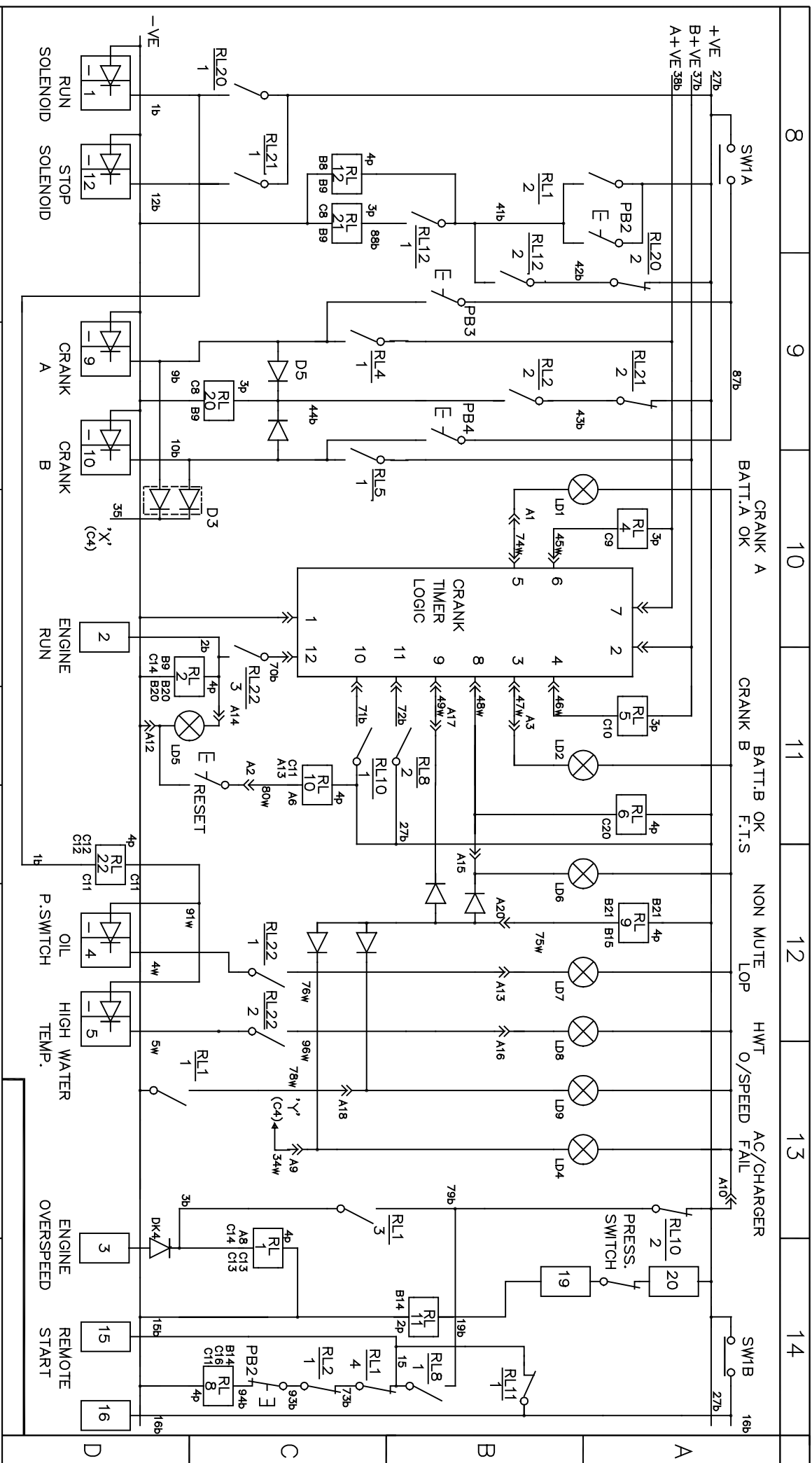


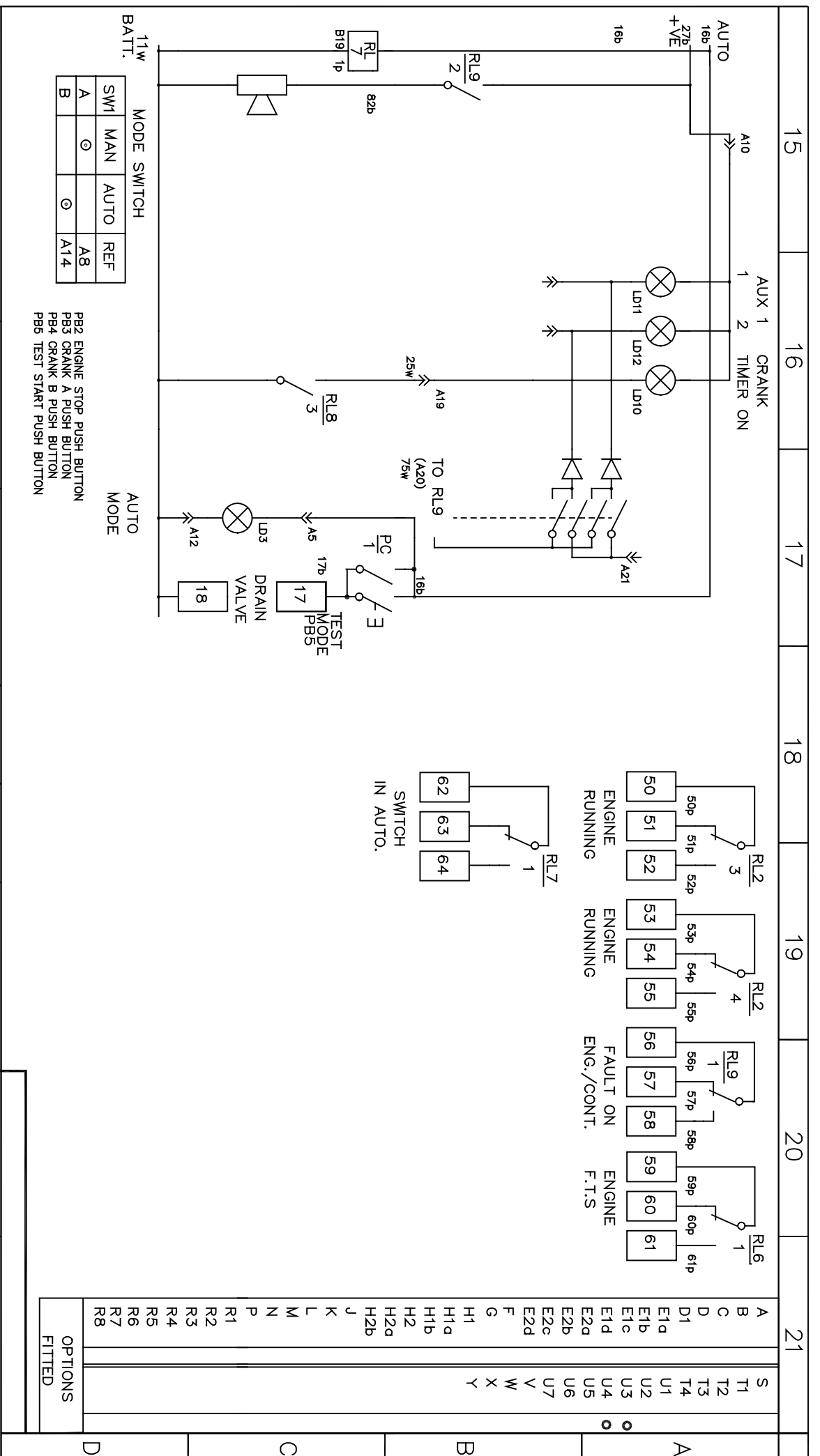
1 2 3 4 5 6 7

SERIAL No.	ISSUE No.		DRN	CHK	TITLE	FDD2E	DRG. No.	SHEET 1/5
ISSUE 2	ISSUE 3	ISSUE 4	DC	DWT	(POWER WIRING)	AE17558		
MODE SWITCH CONTACTS.	RL7 ADDED VOLTMETER FUSE NOTE ADDED	CUSTOMER ISSUE:			METRON ELEDDYNE LTD GRANTHAM, ENGLAND TELEPHONE +44 (0)1476 516120 WWW.METRONELEDDYNE.CO.UK			
23.10.98	07.09.99							

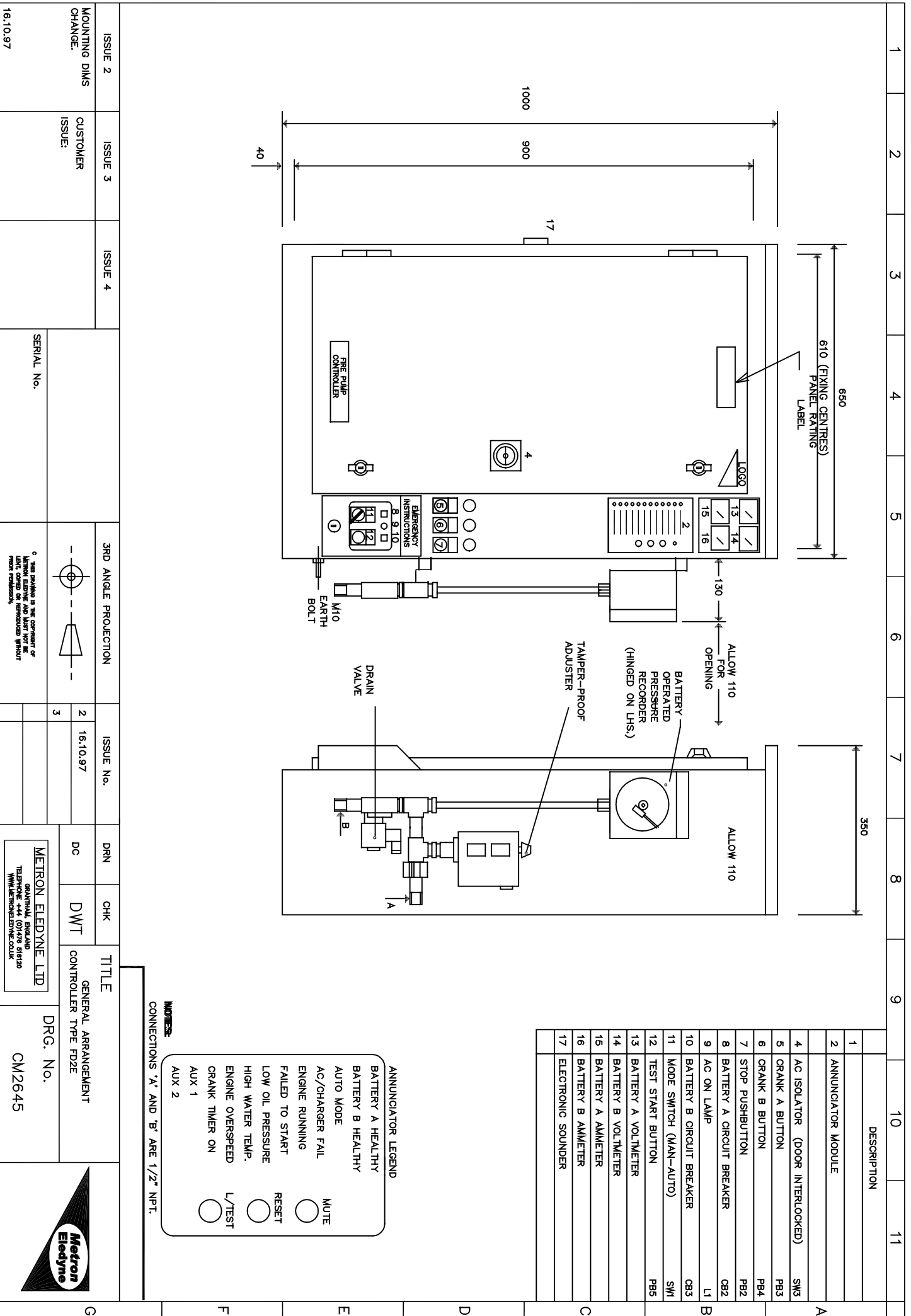




8	9	10	11	12	13	14	
+VE 27b B+VE 37b A+VE 38b		CRANK A BATT.A OK		CRANK B BATT.B OK F.T.S		NON MUTE LOP	HWT O/SPEED AC/CHARGER FAIL
SW1A		SW1B		PRESS. SWITCH		20	19
RL1		RL2		RL3		RL4	
RL5		RL6		RL7		RL8	
RL9		RL10		RL11		RL12	
RL13		RL14		RL15		RL16	
RL17		RL18		RL19		RL20	
RL21		RL22		RL23		RL24	
RL25		RL26		RL27		RL28	
RL29		RL30		RL31		RL32	
RL33		RL34		RL35		RL36	
RL37		RL38		RL39		RL40	
RL41		RL42		RL43		RL44	
RL45		RL46		RL47		RL48	
RL49		RL50		RL51		RL52	
RL53		RL54		RL55		RL56	
RL57		RL58		RL59		RL60	
RL61		RL62		RL63		RL64	
RL65		RL66		RL67		RL68	
RL69		RL70		RL71		RL72	
RL73		RL74		RL75		RL76	
RL77		RL78		RL79		RL80	
RL81		RL82		RL83		RL84	
RL85		RL86		RL87		RL88	
RL89		RL90		RL91		RL92	
RL93		RL94		RL95		RL96	
RL97		RL98		RL99		RL100	
RL101		RL102		RL103		RL104	
RL105		RL106		RL107		RL108	
RL109		RL110		RL111		RL112	
RL113		RL114		RL115		RL116	
RL117		RL118		RL119		RL120	
RL121		RL122		RL123		RL124	
RL125		RL126		RL127		RL128	
RL129		RL130		RL131		RL132	
RL133		RL134		RL135		RL136	
RL137		RL138		RL139		RL140	
RL141		RL142		RL143		RL144	
RL145		RL146		RL147		RL148	
RL149		RL150		RL151		RL152	
RL153		RL154		RL155		RL156	
RL157		RL158		RL159		RL160	
RL161		RL162		RL163		RL164	
RL165		RL166		RL167		RL168	
RL169		RL170		RL171		RL172	
RL173		RL174		RL175		RL176	
RL177		RL178		RL179		RL180	
RL181		RL182		RL183		RL184	
RL185		RL186		RL187		RL188	
RL189		RL190		RL191		RL192	
RL193		RL194		RL195		RL196	
RL197		RL198		RL199		RL200	
RL201		RL202		RL203		RL204	
RL205		RL206		RL207		RL208	
RL209		RL210		RL211		RL212	
RL213		RL214		RL215		RL216	
RL217		RL218		RL219		RL220	
RL221		RL222		RL223		RL224	
RL225		RL226		RL227		RL228	
RL229		RL230		RL231		RL232	
RL233		RL234		RL235		RL236	
RL237		RL238		RL239		RL240	
RL241		RL242		RL243		RL244	
RL245		RL246		RL247		RL248	
RL249		RL250		RL251		RL252	
RL253		RL254		RL255		RL256	
RL257		RL258		RL259		RL260	
RL261		RL262		RL263		RL264	
RL265		RL266		RL267		RL268	
RL269		RL270		RL271		RL272	
RL273		RL274		RL275		RL276	
RL277		RL278		RL279		RL280	
RL281		RL282		RL283		RL284	
RL285		RL286		RL287		RL288	
RL289		RL290		RL291		RL292	
RL293		RL294		RL295		RL296	
RL297		RL298		RL299		RL300	
RL301		RL302		RL303		RL304	
RL305		RL306		RL307		RL308	
RL309		RL310		RL311		RL312	
RL313		RL314		RL315		RL316	
RL317		RL318		RL319		RL320	
RL321		RL322		RL323		RL324	
RL325		RL326		RL327		RL328	
RL329		RL330		RL331		RL332	
RL333		RL334		RL335		RL336	
RL337		RL338		RL339		RL340	
RL341		RL342		RL343		RL344	
RL345		RL346		RL347		RL348	
RL349		RL350		RL351		RL352	
RL353		RL354		RL355		RL356	
RL357		RL358		RL359		RL360	
RL361		RL362		RL363		RL364	
RL365		RL366		RL367		RL368	
RL369		RL370		RL371		RL372	
RL373		RL374		RL375		RL376	
RL377		RL378		RL379		RL380	
RL381		RL382		RL383		RL384	
RL385		RL386		RL387		RL388	
RL389		RL390		RL391		RL392	
RL393		RL394		RL395		RL396	
RL397		RL398		RL399		RL400	
RL401		RL402		RL403		RL404	
RL405		RL406		RL407		RL408	
RL409		RL410		RL411		RL412	
RL413		RL414		RL415		RL416	
RL417		RL418		RL419		RL420	
RL421		RL422		RL423		RL424	
RL425		RL426		RL427		RL428	
RL429		RL430		RL431		RL432	
RL433		RL434		RL435		RL436	
RL437		RL438		RL439		RL440	
RL441		RL442		RL443		RL444	
RL445		RL446		RL447		RL448	
RL449		RL450		RL451		RL452	
RL453		RL454		RL455		RL456	
RL457		RL458		RL459		RL460	
RL461		RL462		RL463		RL464	
RL465		RL466		RL467		RL468	
RL469		RL470		RL471		RL472	
RL473		RL474		RL475		RL476	
RL477		RL478		RL479		RL480	
RL481		RL482		RL483		RL484	
RL485		RL486		RL487		RL488	
RL489		RL490		RL491		RL492	
RL493		RL494		RL495		RL496	
RL497		RL498		RL499		RL500	
RL501		RL502		RL503		RL504	
RL505		RL506		RL507		RL508	
RL509		RL510		RL511		RL512	
RL513		RL514		RL515		RL516	
RL517		RL518		RL519		RL520	
RL521		RL522		RL523		RL524	
RL525		RL526		RL527		RL528	
RL529		RL530		RL531		RL532	
RL533		RL534		RL535		RL536	
RL537		RL538		RL539		RL540	
RL541		RL542		RL543		RL544	
RL545		RL546		RL547		RL548	
RL549		RL550		RL551		RL552	
RL553		RL554		RL555		RL556	
RL557		RL558		RL559		RL560	
RL561		RL562		RL563		RL564	
RL565		RL566		RL567		RL568	
RL569		RL570		RL571		RL572	
RL573		RL574		RL575		RL576	
RL577		RL578		RL579		RL580	
RL581		RL582		RL583		RL584	
RL585		RL586		RL587		RL588	
RL589		RL590		RL591		RL592	
RL593		RL594		RL595		RL596	
RL597		RL598		RL599		RL600	
RL601		RL602		RL603		RL604	
RL605		RL606		RL607		RL608	
RL609		RL610		RL611		RL612	
RL613		RL614		RL615		RL616	
RL617		RL618		RL619		RL620	
RL621		RL622		RL623		RL624	
RL625		RL626		RL627		RL628	
RL629		RL630		RL631		RL632	
RL633		RL634		RL635		RL636	
RL637		RL638		RL639		RL640	
RL641		RL642		RL643		RL644	
RL645		RL646		RL647		RL648	
RL649		RL650		RL651		RL652	
RL653		RL654		RL655		RL656	
RL657		RL658		RL659		RL660	
RL661		RL662		RL663		RL664	
RL665		RL666		RL667		RL668	
RL669		RL670		RL671		RL672	
RL673		RL674		RL675		RL676	
RL677		RL678		RL679		RL680	
RL681		RL682		RL683		RL684	
RL685		RL686		RL687		RL688	
RL689		RL690		RL691		RL692	
RL693		RL694		RL695		RL696	
RL697		RL698		RL699		RL700	
RL701		RL702		RL703		RL704	
RL705		RL706		RL707		RL708	
RL709		RL710		RL711		RL712	
RL713		RL714		RL715		RL716	
RL717		RL718		RL719		RL720	
RL721		RL722		RL723		RL724	
RL725		RL726		RL727		RL728	
RL729		RL730		RL731		RL732	
RL733		RL734		RL735		RL736	
RL737		RL738		RL739		RL740	
RL741		RL742		RL743		RL744	
RL745		RL746		RL747		RL748	
RL749		RL750		RL751		RL752	
RL753		RL754		RL755		RL756	
RL757		RL758		RL759		RL760	
RL761		RL762		RL763		RL764	
RL765		RL766		RL767		RL768	
RL769		RL770		RL771		RL772	
RL773		RL774		RL775		RL776	
RL777		RL778		RL779		RL780	
RL781		RL782		RL783		RL784	
RL785		RL786		RL787		RL788	
RL789		RL790		RL791		RL792	
RL793		RL794		RL795		RL796	
RL797		RL798		RL799		RL800	
RL801		RL802		RL803		RL804	
RL805		RL806		RL807		RL808	
RL809		RL810		RL811		RL812	



15	16	17	18	19	20	21
SERIAL No.	ISSUE No.	ISSUE No.	ISSUE No.	DRN	CHK	TITLE
ISSUE 2	ISSUE 3	ISSUE 4	23.10.98	DC	DWT	(REMOTES + ALARM)
SEE SHEET 1 FOR REVISIONS	SEE SHEET 1 FOR REVISIONS	CUSTOMER ISSUE:	2	METRON ELEDYNE LTD		
			07.09.99	GRANTHAM, ENGLAND		
			4	TELEPHONE +44 (0)1476 516120		
				WWW.METRONELEDYNE.CO.UK		
				DRG. No. AE1758		
				SHEET 3/3		
				OPTIONS FITTED		



10	11
1	DESCRIPTION
2	ANNUNCIATOR MODULE
3	
4	AC ISOLATOR (DOOR INTERLOCKED) SW3
5	CRANK A BUTTON PB3
6	CRANK B BUTTON PB4
7	STOP PUSHBUTTON PB2
8	BATTERY A CIRCUIT BREAKER CB2
9	AC ON LAMP L1
10	BATTERY B CIRCUIT BREAKER CB3
11	MODE SWITCH (MAN-AUTO) SW1
12	TEST START BUTTON PB5
13	BATTERY A VOLTMETER
14	BATTERY B VOLTMETER
15	BATTERY A AMMETER
16	BATTERY B AMMETER
17	ELECTRONIC SOUNDER

ANNUNCIATOR LEGEND

BATTERY A HEALTHY
 BATTERY B HEALTHY
 AUTO MODE
 AC/CHARGER FAIL
 ENGINE RUNNING
 FAILED TO START
 LOW OIL PRESSURE
 HIGH WATER TEMP.
 ENGINE OVERSPEED
 CRANK TIMER ON

MUTE
 RESET
 L/TEST

NOTES:
 CONNECTIONS 'A' AND 'B' ARE 1/2" NPT.

1	2	3	4	5	6	7	8	9	10	11
ISSUE 2	ISSUE 3	ISSUE 4	3RD ANGLE PROJECTION		ISSUE No.	DRN	CHK	TITLE	DRG. No.	
MOUNTING DIMS CHANGE.	CUSTOMER ISSUE.				16.10.97	DC	DWT	GENERAL ARRANGEMENT CONTROLLER TYPE FD2E	CM2645	
16.10.97			SERIAL No.			METRON ELEDYNE LTD GRANVILLE, ENGLAND TELEPHONE: 444 01948 01820 WWW.METRONEDDYNE.CO.UK				

