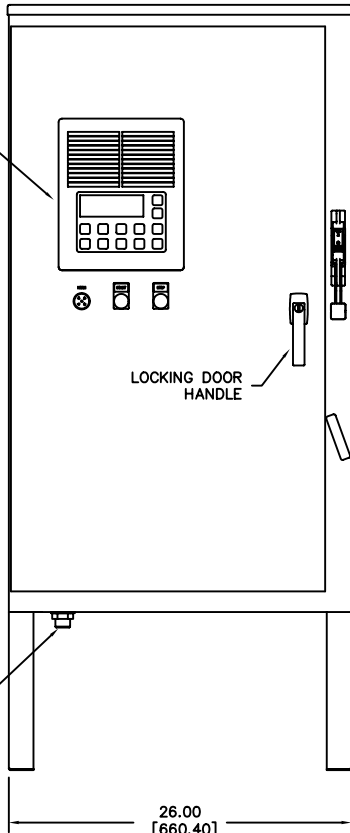


SEE PILOT DEVICE DETAIL

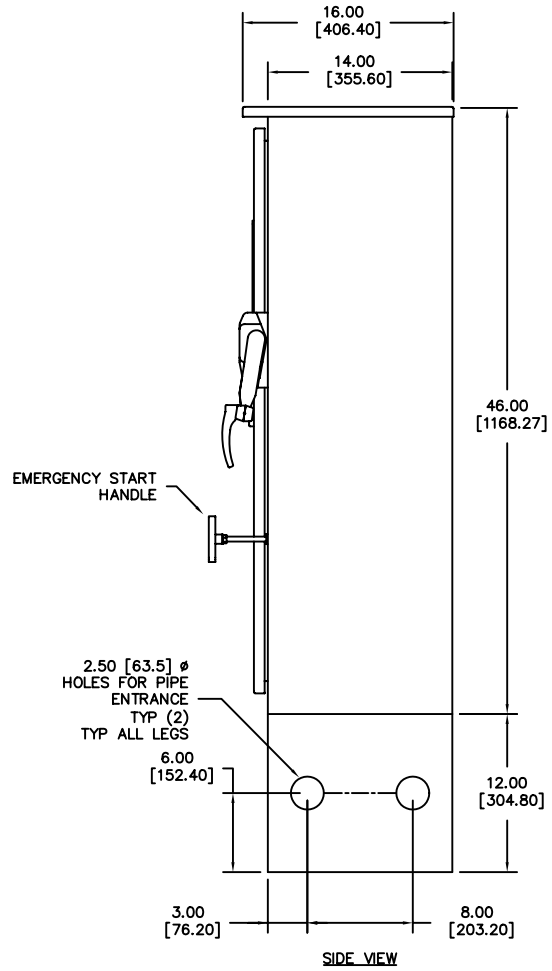


FRONT VIEW

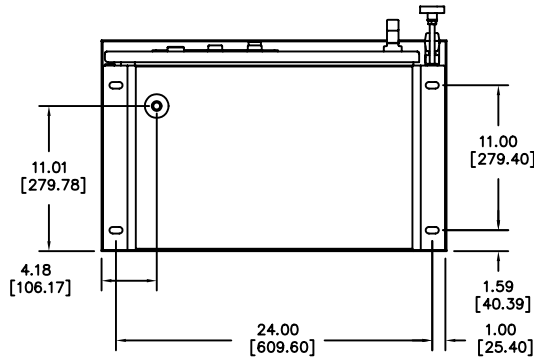
ISOLATION SWITCH/
CIRCUIT BREAKER
OPERATOR

LOCKING DOOR
HANDLE

PRESSURE CONNECTION
1/2" N.P.T - FEMALE

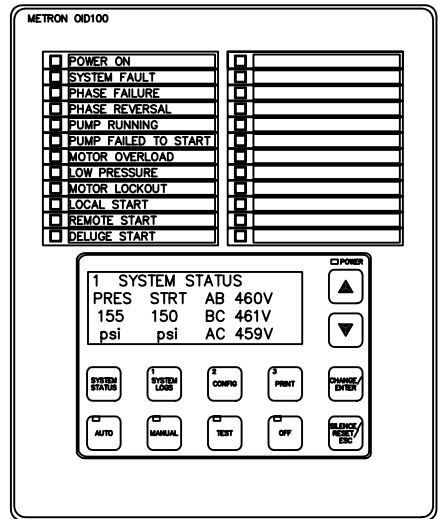


SIDE VIEW



BOTTOM VIEW

PILOT DEVICE DETAIL



HORN



START



STOP



VOLTAGE	HORSEPOWER
200V	15-60 HP.
208V	15-75 HP.
230V	15-75 HP.
380V	15-125 HP.
460V	15-150 HP.

NOTES:
1. ALL DIMENSIONS IN INCHES AND MILLIMETERS ([]).

NEMA 2 ENCLOSURE.

ENCLOSURE DIMENSIONS MODEL MP430 26"x46" CABINET ELECTRIC FIRE PUMP CONTROLLER	DRAWN	W.L.K.	3-20-05	METRON, INC. DENVER, CO.
	CHECK	M.L.	3-25-05	
	APPD	J.B.	3-25-05	
OPTIONS:				
				CD33985
SCALE				SHEET