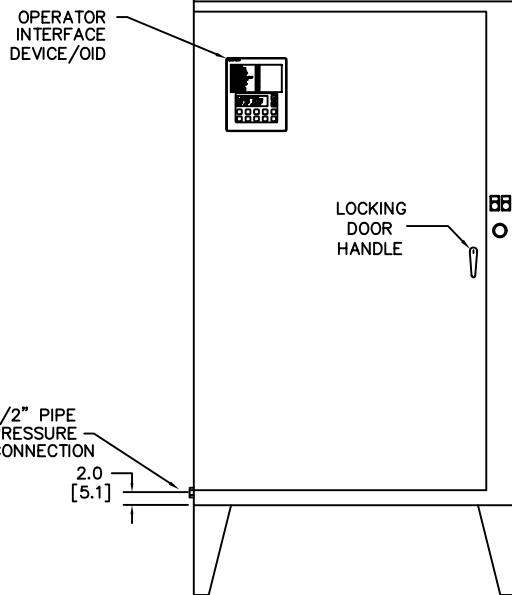


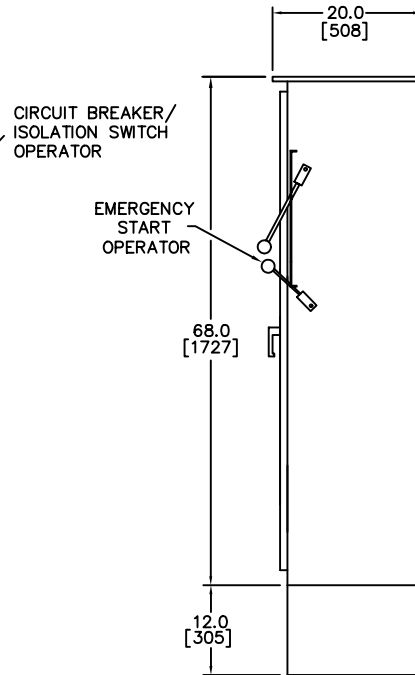
PILOT DEVICE DETAIL

**PILOT DEVICE LEGEND**

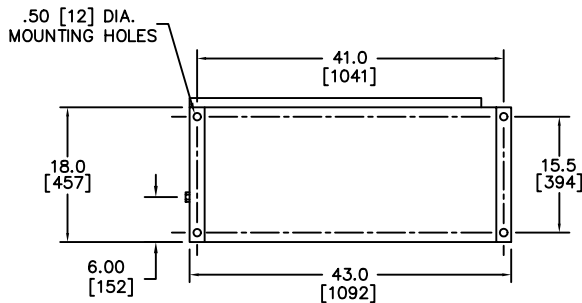
- R1. START PUSH BUTTON
- R2. STOP PUSH BUTTON
- R3. ALARM HORN



FRONT VIEW

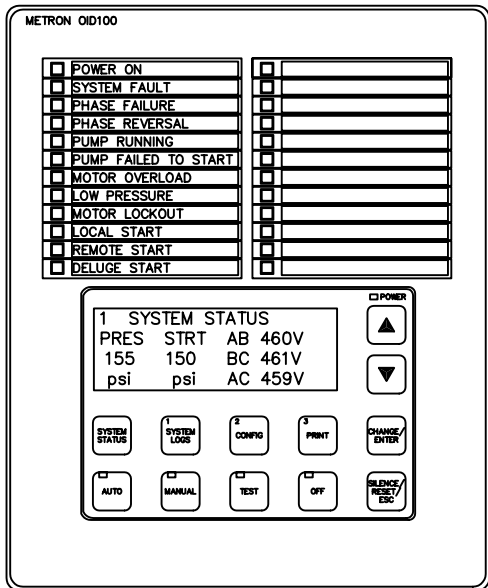


SIDE VIEW



BOTTOM VIEW

**NOTES:**  
ALL DIMENSIONS IN INCHES AND MILLIMETERS ( )



VOLTAGE	HORSEPOWER
200V	200-250 HP.
208V	200-250 HP.
230V	250 HP.
380V, 415V	350 HP.
460V	500 HP.

DRAWN	/k	11-19-04		<b>METRON, INC.</b> DENVER, CO.
CHECK	RA	11-19-04		
APPD	MLX	11-19-04		
ENCLOSURE DIMENSIONS MODEL MP300 43" CABINET, 18" DEEP ELECTRIC FIRE PUMP CONTROLLER				CD33789
SCALE N.T.S.				SHEET 1 OF 1